

STAINLESS STEEL NEEDLE VALVES NV400 – NV400H

DESCRIPTION

The NV-400 is a high pressure needle stop valve, designed for steam and other industrial fluids isolation.

MAIN FEATURES

Rising stem
Complete stainless steel construction
High quality graphite packing

OPTIONS: Other sizes and materials available under request.

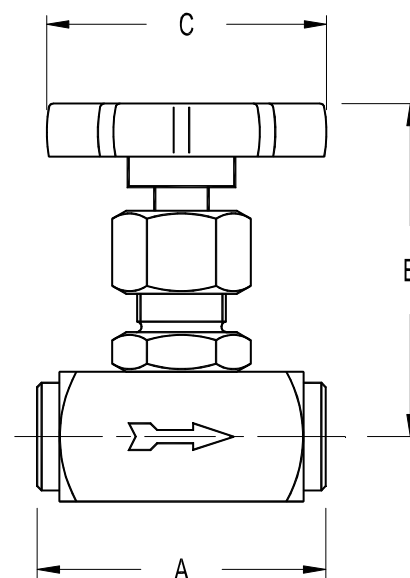
USE: Saturated steam, water, compressed air and other fluids compatible with the construction.

AVAILABLE MODELS: NV-400 ; NV-400H

SIZES : DN 1/4" ,3/8" and 1/2"

CONNECTIONS: Female screwed ISO7/1Rp(BS21)

INSTALLATION: In any position with the flow in the direction of the arrow on the valve body.



DIMENSIONS (mm)				
DN	A	B	C	Weight Kgs
1/4"	55	75	70	0,46
3/8"	60	75	70	0,45
1/2"	65	75	70	0,45

BODY LIMITING CONDITIONS		
NV-400 ALLOW. PRES.	NV-400H ALLOW. PRES.	RELATED TEMP.
400 bar	400 bar	20 °C
320 bar	320 bar	200 °C
284 bar	284 bar	300 °C
/	268 bar	400 °C
/	240 bar	550 °C

Minimum operating temperature : -20°C

MATERIALS			
POS.	DESIGNATION	MATERIAL	
		NV400	NV400H
1	Valve Body	AISI316Ti / 1.4571	AISI316Ti / 1.4571
2	Bonnet	AISI316Ti / 1.4571	AISI316Ti / 1.4571
3	Stem	AISI316Ti / 1.4571	AISI316Ti / 1.4571
4	Disk nut	AISI316Ti / 1.4571	AISI316Ti / 1.4571
5	Packing gland	AISI316Ti / 1.4571	AISI316Ti / 1.4571
6	Packing	Graphite	Grafiflex
7	Handwheel	Plastic	Metalic

